

# NST LED Streetlight



180W / 240W / 300W



90W / 120W / 150W



30W / 50W / 70W

The **NST LED** Streetlight luminaire is aimed to provide superb lighting distribution with special designed optic lenses. This luminaire is perfect for the lighting of Freeways, Main Roads, Branch Roads, Toll Plazas & Residential Road Lighting etc. The Streetlight is designed to replace the conventional HID light sources and suitable for pole mounting. Modern design, simple and exquisite smooth lines, energy efficient with high performance, low maintenance and long life span. The **NST LED** streetlight continues the proud heritage of RAMIKA PROJECTS quality standards.



**RAMIKA PROJECTS**

## NST LED Streetlight

**Applications:** Suitable for Freeway, Main Roads, Branch Roads, Toll Plazas, Commercial Areas, Security, Parks & Residential Road Lighting

**Housing:** Manufactured from aluminium alloy. and finished in a silver grey powder coating.

**Lens:** Tempered IK08 glass lens with high output polycarbonate optical lens provide outstanding uniformity and efficiency.

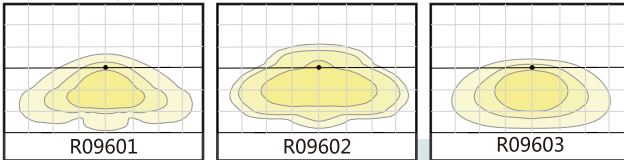
**Gasket:** The silicone sponge gasket between the glass lens and housing provides a IP66 seal for outdoor use.

**Control Gear:** Constant Current LED driver 100V/240V, 50/60Hz. Built-in 10kV surge protection.

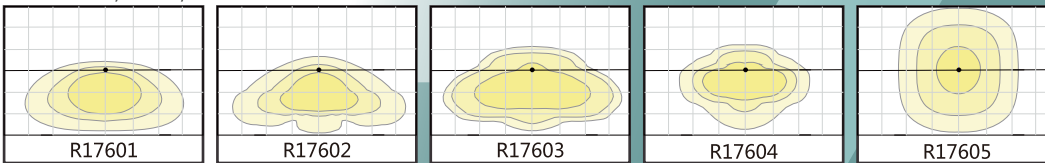


### Photometric Data:

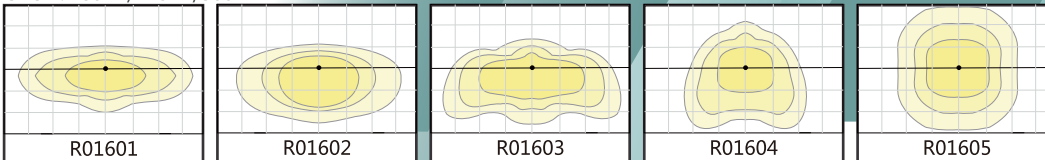
Size : 30W /50W /70W



Size : 90W /120W /150W



Size : 180W /240W /300W



**Mounting:** The body uses aluminium bottom or side entry spigots for pole mounting. The spigots can be adjusted between +15° ~ -15°. Spigot diameter: 34mm, 42mm, 60mm, 76mm

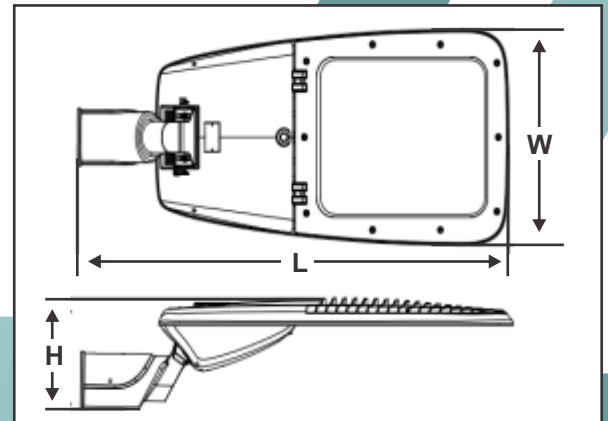
**Beam Angles:** The polycarbonate optic lenses allows for various streetlight distributions.

**Dimming:** Dimmable options available on request.

**Installation:** Tool Free opening allows for individual installation. The luminaire also includes a water level for level accuracy. Power would automatically turn off once the luminaire is opened for maintenance.

**Rated Lifetime:** >50 000 Hr. (Ta= 30°C@L70)

**Warranty:** 5 Years



Model Name	NST LED Streetlight								
<b>Rated Wattage(W)</b>	30W	50W	70W	90W	120W	150W	180W	240W	300W
<b>Luminous Flux(LM)</b>	3900lm	6500lm	9100lm	11700lm	15600lm	19500lm	23400lm	31200lm	39000lm
<b>Luminous Efficiency</b>	130lm/W								
<b>Colour Temperature</b>	4000K (3000K,5000K Optional)								
<b>Colour Rendering Index</b>	Ra70 / Ra80								
<b>Rated Voltage</b>	100V-240V AC, 50/60Hz								
<b>Ingress Protection Grade</b>	IP66								
<b>Ambient Temperature</b>	-30°C to +50°C								
<b>Power Factor</b>	>0,92								
<b>Rated Lifetime</b>	>50 000 Hr. (Ta=30°C@L70)								
<b>Installation</b>	Pole mounting								
<b>Weight</b>	6,2kg			8,4kg			10,3kg		
<b>Dimensions</b>	L x W x H			L x W x H			L x W x H		
	649x272x179mm			762x336x179mm			889x378x192mm		

Ramika Projects reserves the right to change any specification or design without prior notice.