



HA1 - LED Pendant

Zone 1, 2, 21 & 22



The **HA1** is a high performance LED pendant luminaire, designed and certified for Zone 1, 2, 21 and 22 hazardous areas. The luminaire is designed to replace the conventional HID lamp technology which makes it energy efficient with high performance, low maintenance and long life span. It's suitable for wall, ceiling, pendant and pole mounting. The **HA1** continues the proud heritage of RAMIKA PROJECTS Ex safety standards whilst utilizing the latest LED technology.



RAMIKA PROJECTS

HA1 - LED Pendant

Applications: Zone 1, 2, 21 & 22 Hazardous locations. Oil Refineries, Chemical and Petrochemical plants and Fuel Depots.

Body: Manufactured from Copper-free content aluminium alloy body with grey epoxy powdercoating. Wire guard and all external screws are stainless steel.

Lens: Shock & Temperature resistant borosilicate glass.

Gasket: Acid/Hydrocarbon resistant silicone gasket.

Note: Lightning Protection: All electronic products such as light fittings and computers are subject to violent destruction when struck by lightning. An independent lightning protection device, well earthed, needs to be inserted in the supply line before the lighting circuit, where any electronic control gear is used in light fittings. Control gear damaged by lightning is not covered under guarantee.

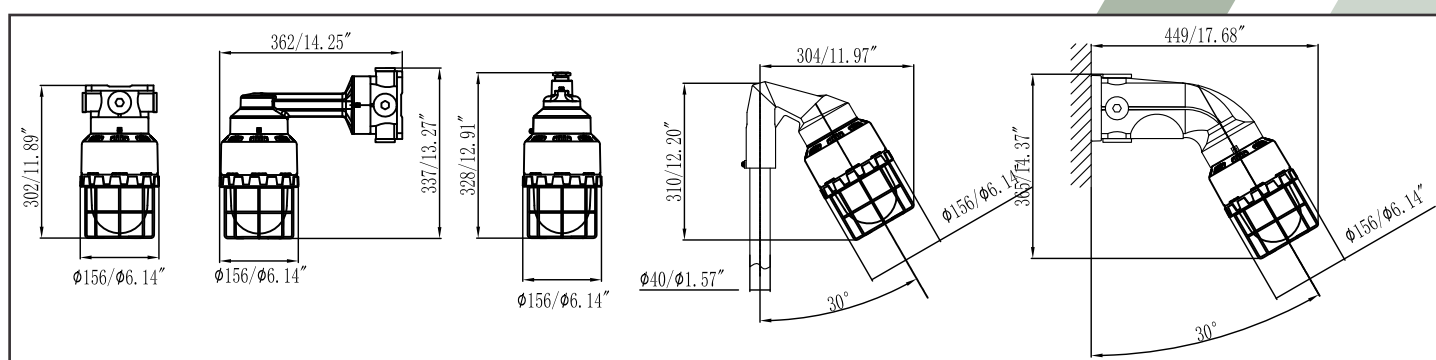
Control Gear: Multi-protection constant current LED driver with short-circuit and over voltage protection. AC 100-277V, 50/60Hz

Cable Entry: Comes standard with an M25 x 1.5 thread hole.

Mounting: Ceiling, Pendant, Pole and Wall Mount.

Warranty: 5 Years

Photometric Data: Available on request.



Model Name	HA1 - LED Pendant		
Rated Wattage(W)	20W	30W	40W
Luminous Efficacy (system)	134lm/W	117lm/W	128lm/W
Luminous Flux (system)	2693lm	3516lm	5117lm
Beam Angle	180°		
Colour Temperature	5000K (3000K & 4000K optional)		
Colour Rendering Index	>Ra80		
Rated Voltage	AC 100V-277V, 50/60Hz		
Ingress Protection Grade	IP66		
Ambient Temperature	-40°C to +55°C		
Power Factor	0,95		
Rated Lifetime	>60 000 Hr. (L70/B10)		
Installation	Wall, Ceiling, Pendant & Pole mounting		
Dimensions	Diameter x H		
	156x320mm		
Weight (kg)	3.8kg		
Classification	Zone 1 - Zone 2 (Gas) & Zone 21 - Zone 22 (Dust)		
Ex-mark	Ex db IIC T6 Gb IP66 / Ex tb IIIC T85°C Db IP66		

Ramika Projects reserves the right to change any specification or design without prior notice.

Tel: 010 443 9149 | Email: sales@ramika.co.za | Web: www.ramika.co.za



RAMIKA PROJECTS