

# BJD320-LED Emergency



The **BJD320 LED** Double Head Emergency Lighting provides long life, high reliability aluminium housing designed for corrosive, wet and dusty environments. The double LED lamps are adjustable to 360° allowing you to focus light where you need it. Copper free content aluminium alloy powder coating (Grey) body. Acid/Hydrocarbon resistant silicone gasket for temperatures of -50°, shock and temperature resistant borosilicate glass lens ensure strong impact resistance. Heavy duty Ni-Mh battery for reliable operation up to 55°C ambient. Self-test, monitoring and diagnostics to reduce maintenance checks. Brown-out and short circuit protection.

## APPLICATIONS

- Petroleum industry
- Mining Industry
- Metallurgical industry.
- Chemical & Petrochemical plants.
- Power generation plants.
- Warehouse lighting.

**Ingress Protection: IP65**



## AGENTS

Western Cape  
Matelec  
[rushana@matelec.co.za](mailto:rushana@matelec.co.za)

KZN  
Afrilite  
[afritelite@rnwep.co.za](mailto:afritelite@rnwep.co.za)

Eastern Cape  
Farad Agencies  
[farad@iafrica.com](mailto:farad@iafrica.com)

Vaal Triangle  
Lighting 2000  
[drew@lighting2000.co.za](mailto:drew@lighting2000.co.za)

Lighting 2020  
[nunnsca@gmail.com](mailto:nunnsca@gmail.com)

PML (Moz.)  
[baptista.homo@pierlite.co.mz](mailto:baptista.homo@pierlite.co.mz)

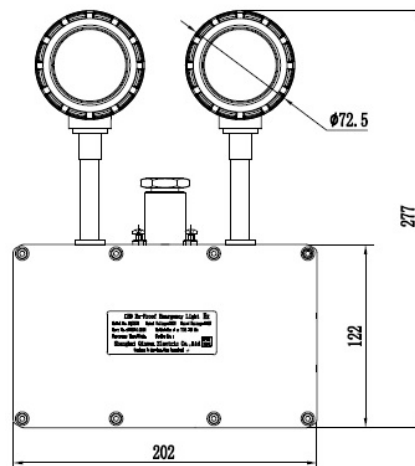
Purcee Industrial Controls  
[patnck@purcee.net](mailto:patnck@purcee.net)

## BJD320 LED Double Head Emergency

### Product Specification

Model Name	<b>BJD320-LED Double Head Emergency</b>
Power Consumption	2 x 3W (6W)
Corrected Colour Temperature	5000K
Luminous Efficiency (system)	110Lm /W
Luminous Flux (fixture lumen efficiency)	2 x 330lm (660 lumens)
Colour Rendering Index	>85
Application area	Corrosive, wet and dust areas
Mains Voltage	AC/DC 220V
Mains Frequency	50- 60 Hz
Driver	Constant current
LED Configuration	CREE high efficiency LED's
Power Factor	0.98
Cable Entry	M16 x1.5
Mounting type	Pendant / wall mounting flanges
Ambient Temperature	-20 to +40°C
Weight	3.2 Kg
Battery Specification	Heavy duty Ni-Mh battery
Ingress Protection	IP65
Lens	Shock and temp. resistant borosilicate glass
Emergency Duration	Min. 90 minutes

### Dimensions



### Accessories available

- Different installation methods
- Different LED colour temperatures (°K)
- Cable gland / terminal box

BD-PFC-026-F7 Rev. 1 (Dec. 2016)

*Nordland reserves the right to change any specification or design without prior notice*

Tel +27(0)11 662 - 4300 | Fax +27(0)11 662 - 4319 | [sales@nordland.co.za](mailto:sales@nordland.co.za) | [www.nordland-lighting.com](http://www.nordland-lighting.com)