

NGB - HID Bulkhead



The **NGB - HID Bulkhead** luminaire range is a high-performance industrial die-cast aluminium luminaire that has been designed to satisfy a wide range of industrial and architectural applications. It is available in compact fluorescent and HID lamps. It is suitable for wall, ceiling, bracket and pole mounting. The **NGB - HID Bulkhead** continues the proud heritage of RAMIKA PROJECTS quality standards.



RAMIKA PROJECTS

NGB - HID Bulkhead

Applications: All non-hazardous areas, Industrial sites, Security, Conveyor, Public Buildings and Various Mining areas.

Body: High pressure die-cast LM 6 aluminium.

Lens: Heavy duty toughened smooth clear glass, fitted into a die-cast aluminium frame.

Frame: The frame is fitted with 6 spring stainless steel fingertip latches which hold the frame in position. The hinged frame is reversible for easy installation.

Gasket: Round silicone sponge gasket retained within a recess in the cast aluminium base to ensure total sealing.

Control Gear: 230V/50Hz chokes, ignitors and capacitors are used with a supply terminal block suitable for wires up to 4mm².

Lamps: The die-cast aluminium body houses internal control gear for different options:

18W compact fluorescent

70W to 150W tubular metal halide

70W to 150W tubular high pressure sodium

Warranty: 1 Year

Note: Lightning Protection: All electronic products such as light fittings and computers are subject to violent destruction when struck by lightning. An independent lightning protection device, well earthed, needs to be inserted in the supply line before the lighting circuit, where any electronic control gear is used in light fittings. Control gear damaged by lightning is not covered under guarantee.

Reflector: Hammered aluminium reflectors provide enhanced beam distribution.

Cable Entry: The bulkhead is supplied with a single compression gland for cable diameter 8-11mm.

Mounting: The body incorporates many choices of options including: Wall / Ceiling Brackets, Antivibration mountings, pole mounting brackets and an angled post-top bracket.

Ambient Temperature Rating: -10°C - +45°C

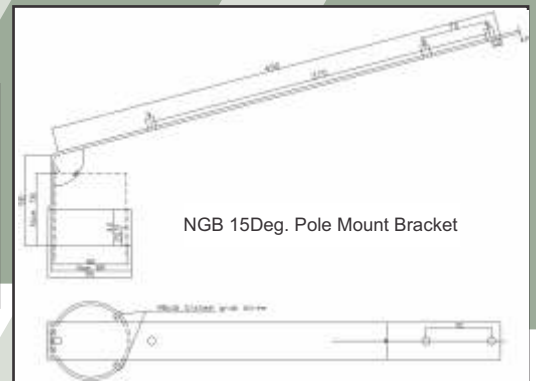
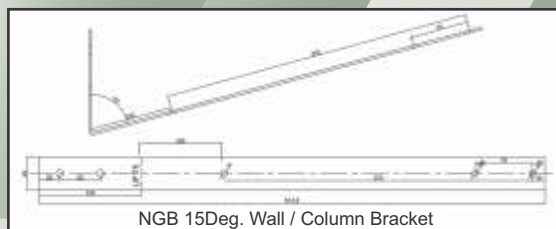
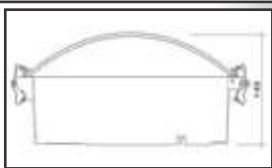
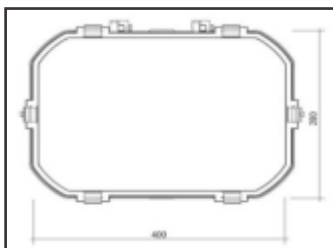
Ingress Protection Grade: IP65

Emergency Mode: The luminaire can be fitted with inverter charger and battery back up, to operate in the maintained mode. Alternatively as a non maintained unit.

Screws: All external screws are made of stainless steel.

Features: The luminaires have a venting element to avoid high humidity and condensation inside the enclosure. The venting element is made from flame retardant polyamide PA6 with high quality breathable and watertight PES membrane to enable high protection grade of >IP65.

Photometric Data: Photometric files available on request.



Model Name	Wattage (W)	Lenght (mm)	Width (mm)	Height (mm)	Mass (Kg)
NGB 2x18W ELB	2x18W	400	280	148	5.8
NGB 70W HPS	70W	400	280	148	5.8
NGB 100W HPS	100W	400	280	148	6.0
NGB 150W HPS	150W	400	280	148	7.1
NGB 70W MH	70W	400	280	148	5.8
NGB 100W MH	100W	400	280	148	6.0
NGB 150W MH	150W	400	280	148	7.1
Emergency					
NGB 2x18W ELB/Em	2x18W	400	280	148	5.8
NGB 70W HPS/Em	70W	400	280	148	5.8
NGB 70W MH/Em	70W	400	280	148	5.8

Ramika Projects reserves the right to change any specification or design without prior notice.