



# NBR Bulkhead



The **NBRF Bulkhead** with flat diffuser and **NBRD Bulkhead** with dome diffuser are architecturally designed bulkheads for use with compact fluorescent lamps and LED modules. The clean modular design of these vandal resistant bulkheads makes them ideal features to form interesting architectural lighting design elements along walkways, facades and stairs.



## NBR Bulkhead

**Applications:** Retail Lighting, Commercial and Housing Developments, Public Lighting, Indoor and Outdoor Applications

**Body Housing:** Manufactured from LM6 die cast aluminium base and trim ring. Finished in black or white epoxy powder coated.

**Diffuser:** Injection-moulded, one-piece non- discolouring high impact and thermal resistance UV stabilized with high impact acrylic diffuser smooth interior and exterior opal visor, to SASS specifications.

**Gasket:** Captive silicone gasket provides seal for outdoor use. Ideal for wet or dust locations.

**Lamp holder:** Only G24-d compact type fluorescent lamps are suitable.

**Control Gear:** 230 V/50 Hz magnetic switch start ballast or electronic control gear and capacitors are used with terminal block suitable for 4 mm<sup>2</sup>

**Note:** Lightning Protection: All electronic products such as light fittings and computers are subject to violent destruction when struck by lightning. An independent lightning protection device, well earthed, needs to be inserted in the supply line before the lighting circuit, where any electronic control gear is used in light fittings. Control gear damaged by lightning is not covered under guarantee.

**Lamps:** The bulkhead can be supplied with 18W or 26W compact fluorescent lamps as well as with 15W or 24W LED modules.

**Screws:** Captive stainless-steel screws operate through the diffuser flange for easy location.

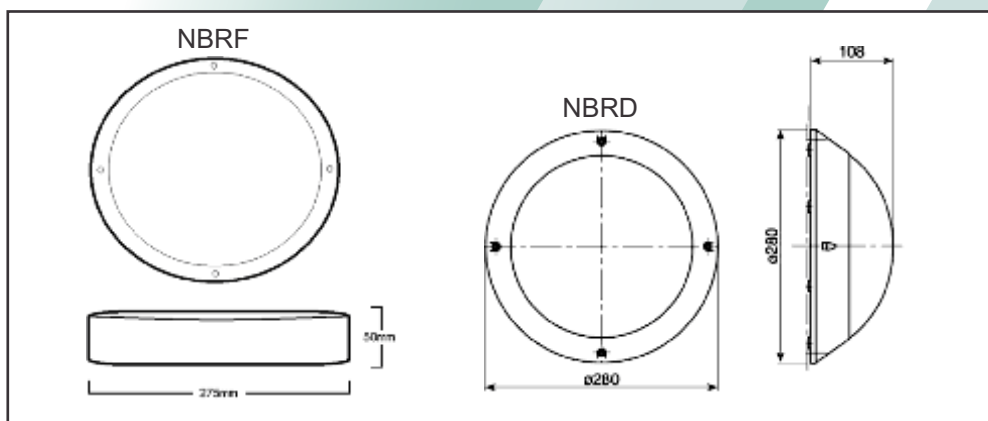
**Conduit entry:** 20mm entry is provided at the back of the bulkhead.

**Emergency Mode:** Emergency backup available on request.

**Ingress Protection:** IP65

**Photometric Data:** Photometric files available on request.

**Warranty:** 1 Year



Model Name	Wattage	Dimensions		Mass (Kg)
		Diameter (mm)	Height (mm)	
NBRF 1x18W CFL	18W	275	50	1.3
NBRF 2x18W CFL	36W	275	50	1.6
NBRF 1x26W CFL	26W	275	50	1.65
NBRD 1x18W CFL	18W	280	108	1.01
NBRD 2x18W CFL	36W	280	108	1.09
NBRD 1x26W CFL	26W	280	108	1.10
NBRD 15W LED (4000K)	15W	280	108	1.13
NBRD 24W LED (4000K)	24W	280	108	1.15

Ramika Projects reserves the right to change any specification or design without prior notice.