

# NCL-LED Canopy



The **NCL-LED Canopy** luminaire is aimed to provide superb lighting distribution for various applications. The luminaire can be recessed, surfaced or suspended and can be used indoors as well as outdoors. It has been designed to replace the conventional HID light sources. The luminaire has a modern design, simple and exquisite smooth lines and is energy efficient with high performance, low maintenance and long life span. The **NCL-LED Canopy** continues the proud heritage of NORDLAND LIGHTING's quality standards.



**NORDLAND LIGHTING®**

## NCL-LED Canopy

**Applications:** Canopy Lighting, Vehicle Showrooms, Warehouses Lighting & Conference Hall Lighting.

**Housing:** Manufactured from aluminium alloy, with a heavy duty toughened smooth clear glass refractor, fitted into the aluminium alloy housing.

**Gasket:** The silicone sponge gasket between the glass and housing provides a IP66 seal for outdoor use.

**Control Gear:** Constant Current LED driver  
100V/240V, 50/60Hz

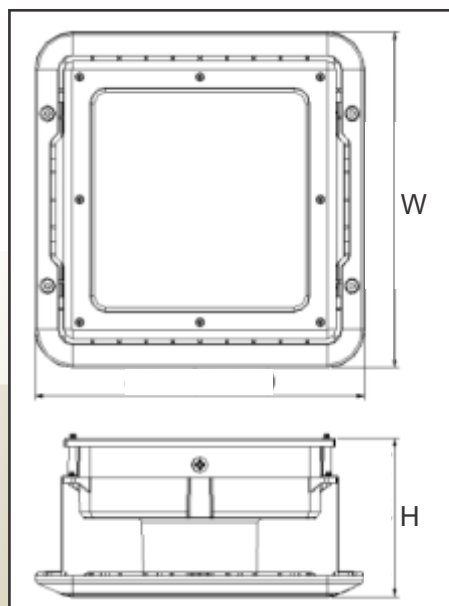
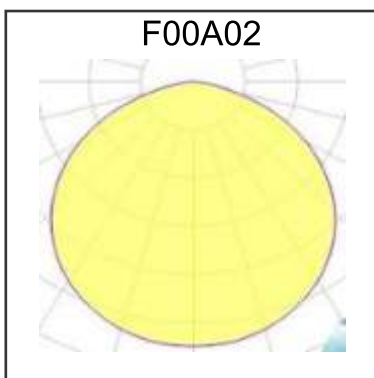
**Mounting:** Recessed, Surface or Suspension mounting.

**Smart Controls:** Motion sensor and Dali Dimmable available on request.

**Rated Lifetime:** 50 000 Hr. (Ta=30°C@L70)

**Warranty:** 5 Years

### Photometric Data:



### Mounting Options:



Model Name	NCL-LED Canopy					
Rated Wattage(W)	50W	80W	100W	120W	150W	200W
Luminous Flux(LM)	8000lm	12800lm	16000lm	19200lm	24000lm	32000lm
Luminous Efficiency	160lm/W					
Colour Temperature	5000K (3000K,4000K Optional)					
Colour Rendering Index	Ra70 / Ra80					
Rated Voltage	100V-240V AC, 50/60Hz					
Ingress Protection Grade	IP66					
Ambient Temperature	-30°C to +50°C					
Power Factor	>0,90					
Rated Lifetime	50 000 Hr. (Ta=30°C@L70)					
Installation	Recessed, Surface or Suspended					
Beam Angle	F00A02 (120° beam angle)					
Weight	8,3kg	8,4kg	8,7kg	10,9kg	11kg	11,1kg
Dimensions (mm)	L x W x H	L x W x H	L x W x H	L x W x H	L x W x H	L x W x H
	405x405x192	405x405x192	405x405x192	505x505x192	505x505x192	505x505x192

Nordland reserves the right to change any specification or design without prior notice.

