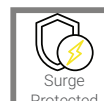


NGBP LEDEx

Zone 1 / 2 / 21 / 22



Made in RSA



Management System
ISO 9001:2015



www.tuv.com
ID: 2105287029

Overview

- **Versatile Usage:**
The NGBP LEDEx luminaire is suitable for a wide range of indoor and outdoor applications, including Hazardous Zone 1 areas, industrial environments, oil and gas facilities, and mining operations.
- **High Efficiency and Longevity:**
Delivers exceptional lumen output, energy efficiency, and extended lifespan, ensuring powerful and consistent illumination while minimizing energy consumption.
- **Uniform Lighting:**
Provides uniform, glare-free light distribution with a wide beam angle, improving visibility and ensuring a comfortable, well-lit environment.
- **Accurate Color Rendering:**
Offers excellent colour rendering for precise and vibrant illumination, enhancing visibility and safety in demanding environments.
- **Durable and Reliable:**
Features patented encapsulated LED modules for superior protection and thermal stability. Delivers instant, flicker-free start-up and reliable performance under tough conditions with IP66 protection.
- **Easy Installation:**
Designed for quick mounting on ceiling, wall, or pole, offering a versatile and durable Zone 1 lighting solution.

Applications



Hazardous Areas



Flood Lighting



Port Lighting



Security Lighting



Mining and Surface Areas



Oil and Gas



Industrial



Outdoor Areas



Indoor Areas

Hazardous - Bulkhead - Floodlight

PERFORMANCE DATA

NGBP LEDEx	NGBP LEDEx 40	NGBP LEDEx 55	NGBP LEDEx 72	NGBP LEDEx 102
Wattage (W) +- 5% variance	40 W	55 W	72 W	102 W
Nominal Flux (Lumen)	5900	8122	10632	15060
System Flux (Lumen)	4160	5720	7488	10608
System Efficacy (lm/W)	104 lm/W	104 lm/W	104 lm/W	104 lm/W
Emergency Operation	6W @ 1 hour 800lm	6W @ 1 hour 800lm	6W @ 1 hour 800lm	6W @ 1 hour 800lm

ELECTRICAL OPERATING DATA

Driver Type	Ex approved, Constant Current
Voltage input, Frequency and Power Factor	230VAC +- 10% / 50 or 60Hz / PF > 0.96
Running Current	0.192A @ 40W / 0.264A @ 55W / 0.345A @ 72W / 0.492A @ 102W
Allowed Operating Temperature	-20° C to + 40° C
Electrical and Thermal Protection	4kV L/N to Earth, 2kV L to N, Thermal Cutout Protection

LED CHARACTERISTICS AND OPTIC DATA

Available Optics	120° Standard and 65° Optional
Expected LED Lifespan	>54000 hours @ L70B10 85°C (According to LM-80-08)
Colour Rendering Index (CRI)	>80
Correlated Colour Temperature (CCT)	5000K Standard, 6000K and 4000K available as options on special request
IES Files	Available on request, Professional Lighting Design services available at no cost

PRODUCT MATERIAL AND INSTALLATION

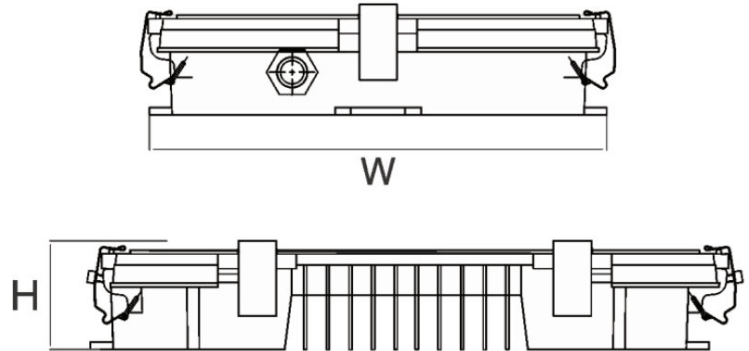
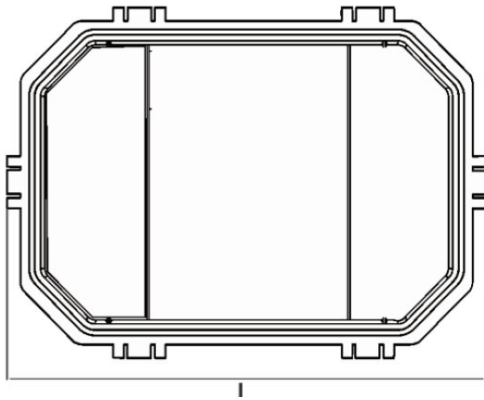
Housing Material and Finish	High Pressure Die Cast Aluminium, Powder Coated Dark Grey (Other colours available on request)
Lens and Gasket	5mm Tempered glass lens / Rubber Silicone gasket cemented into groove
Ingress Protection and IK Rating	IP66 / IK10
Mounting and Installation options	Wall and Ceiling as standard, Flood trunnion arm and Pole mountings available on request

Certifications and Standards Compliance

Standards compliance	SANS 60598-1 / SANS 60079-0 / SANS 1464 - 22 (EM Versions)
Ex Certification Compliance	Ex eb mb IIC T4 Gb, Ex tb IIIC T135°C Db MASC S/20-2046X
ISO QMS	9001:2015

Dimensions and Packaging

Model	NGBP LEDEx 40	NGBP LEDEx 55	NGBP LEDEx 72/102
Dimensions (Length x Width x Height) in mm	410 x 303 x 72	410 x 303 x 72	410 x 303 x 72
Weight (Unit / Packaged) in kg	6.0 / 6.2	6.0 / 6.2	6.2 / 6.4



Miscellaneous

Contact Nordland	T: 010 442 2809	E: Sales@Nordland.co.za	W: https://nordland-lighting.com
Warranty Details	5 Years (Limited)	T's and C's Available from Nordland	W: https://nordland-lighting.com
Free Services Provided	Lighting Audits	Lighting Designs by Accredited Professionals	Lighting Specification Writing and Tender Detail Assistance

52 Fransen street, Chamdor, Krugersdorp, Johannesburg, South Africa

The information provided in this datasheet is intended for general informational purposes only. Nordland reserves the right to make changes or updates to the specifications, design, and other information contained herein at any time without prior notice. While we strive to ensure the accuracy and completeness of the information provided, we do not guarantee that it is free from errors, omissions, or inaccuracies. Nordland shall not be held liable for any direct, indirect, incidental, or consequential damages arising from the use or reliance on the information contained in this datasheet. It is the responsibility of the user to verify and confirm all information before making any decisions or commitments based on it. For the most up-to-date information, please refer to the latest version of this datasheet or contact Nordland directly.

