



HL1 - LED Linear

Zone 2, 21 & 22



The **HL1** is a high performance LED linear luminaire, designed and certified for Zone 2, 21 and 22 hazardous areas. The luminaire is designed to replace the conventional fluorescent lamp technology which makes it energy efficient with high performance, low maintenance and long life span. It's suitable for wall, ceiling, pendant and pole mounting. The **HL1** continues the proud heritage of RAMIKA PROJECTS Ex safety standards whilst utilizing the latest LED technology.



RAMIKA PROJECTS

HL1 - LED Linear

Applications: Zone 2, 21 & 22 Hazardous locations. Oil Refineries, Chemical and Petrochemical plants and Fuel Depots.

Body: Manufactured from Copper-free content aluminium alloy body with grey epoxy powder coating. All external screws are stainless steel.

Diffuser: Manufactured from impact and UV resistant polycarbonate.

Gasket: Acid/Hydrocarbon resistant silicone gasket.

Control Gear: Multi-protection constant current LED driver with short-circuit and over voltage protection. AC 90-305V, 50/60Hz

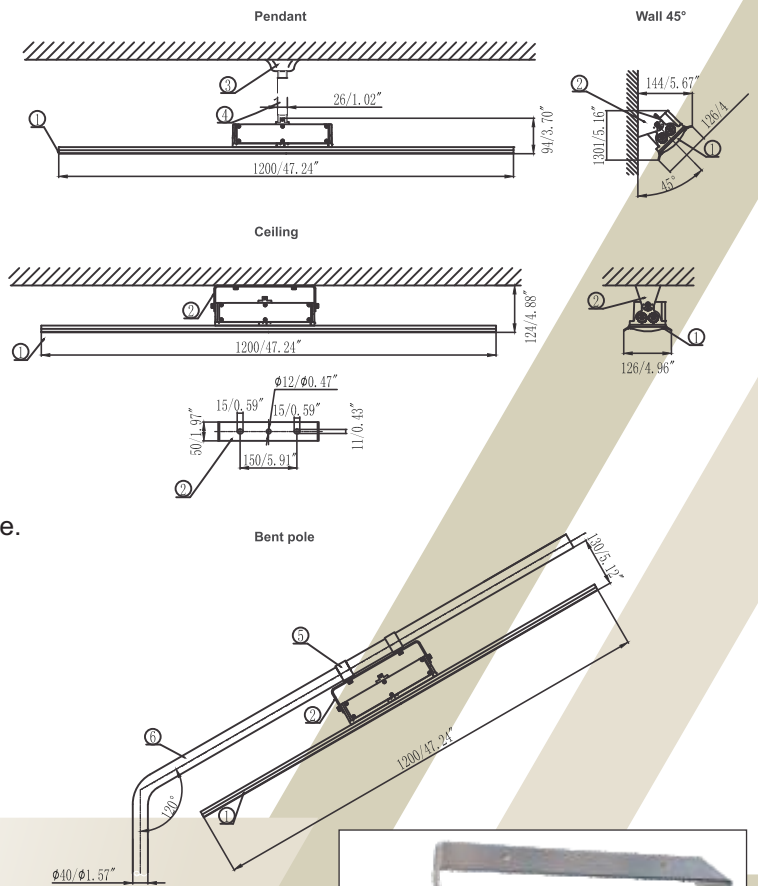
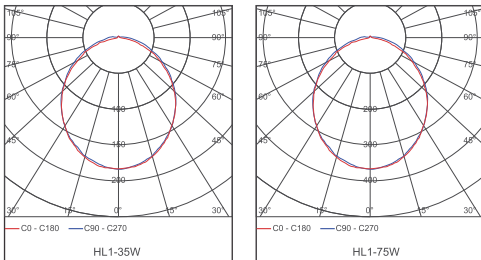
Cable Entry: Comes standard with a M25 x 1.5 thread hole.

Mounting: Ceiling, Pendant, Pole and Wall Mount.

Emergency: Emergency options available on request.

Warranty: 5 Years

Photometric Data:



Note: Lightning Protection: All electronic products such as light fittings and computers are subject to violent destruction when struck by lightning. An independent lightning protection device, well earthed, needs to be inserted in the supply line before the lighting circuit, where any electronic control gear is used in light fittings. Control gear damaged by lightning is not covered under guarantee.

Model Name	HL1 - LED Linear	
Rated Wattage(W)	35W	75W
Luminous Efficacy (system)	120lm/W	120lm/W
Luminous Flux (system)	4200lm	9000lm
Colour Temperature	5000K	
Colour Rendering Index	>Ra80	
Rated Voltage	AC 90V-305V, 50/60Hz	
Ingress Protection Grade	IP65	
Ambient Temperature	-40°C to +55°C	
Power Factor	0,95	
Rated Lifetime	>60 000 Hr. (L70/B10)	
Installation	Wall, Ceiling, Pendant & Pole mounting	
Dimensions	L x W x H	L x W x H
	600x126x93.5mm	1200x126x93.5mm
Weight (kg)	3.2kg	4.3kg
Classification	Zone 2 (Gas) & Zone 21 - Zone 22 (Dust)	
Ex-mark	Ex nA IIC T4 Gc IP65 / Ex tb IIIC T85°C Db IP65	

Ramika Projects reserves the right to change any specification or design without prior notice.

Tel: 010 443 9149 | Email: sales@ramika.co.za | Web: www.ramika.co.za



RAMIKA PROJECTS